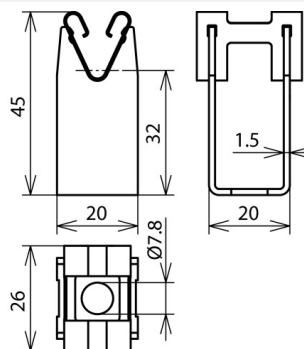


LH DG 8 H32 B7.8 V2A (207 029)



Figure without obligation



Type	LH DG 8 H32 B7.8 V2A
Part No.	207 029
Height of conductor holder	32 mm
Hole of conductor holder	Ø7.8 mm
Material of conductor holder	StSt
Conductor support Rd	8 mm
Conductor routing	loose
Standard	EN 62561-4
Weight	24 g
Customs tariff number (Comb. Nomenclature EU)	85389099
GTIN	4013364042711
PU	50 pc(s)

We reserve the right to introduce changes in performance, configuration and technology, dimensions, weights and materials in the course of technical progress. The figures are shown without obligation.