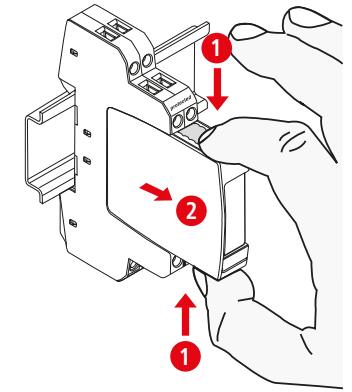
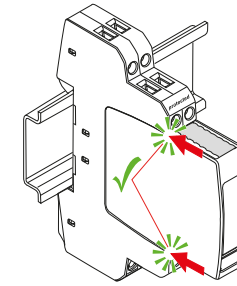
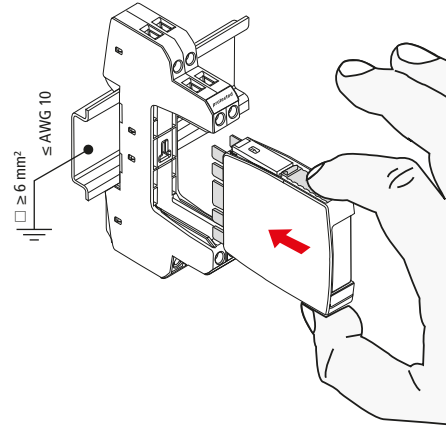
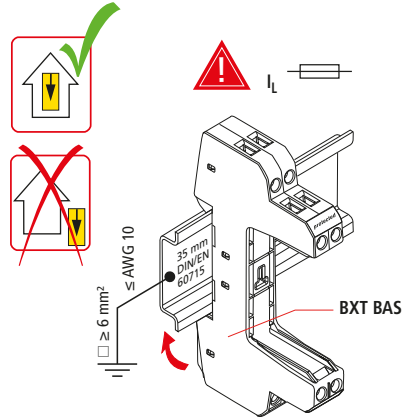
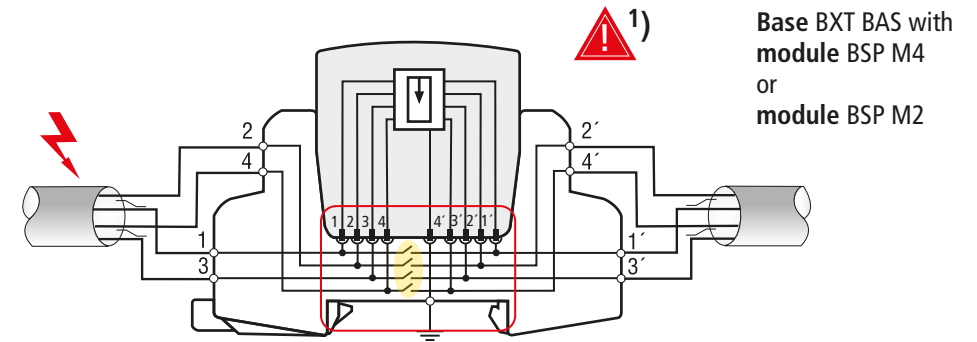
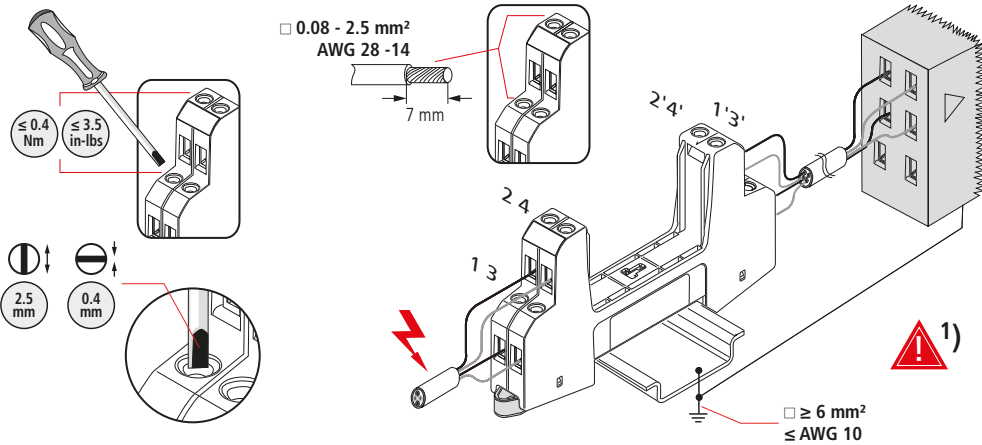


**BLITZDUCTOR BSP**

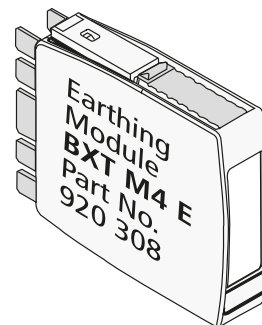
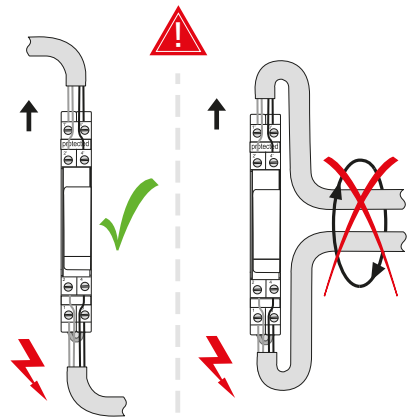
- DE Einbauanleitung
- GB Installation instructions
- IT Istruzioni di montaggio
- FR Instructions de montage
- NL Montagehandleiding
- ES Instrucciones de montaje
- PT Instruções de montagem
- DK Monteringsvejledning
- SE Monteringsanvisning
- FI Asennusohje
- GR Οδηγίες συναρμολόγησης
- PL Instrukcja montażu
- CZ Montážní návod
- TR Kurulum Talimatları
- RU Инструкция по монтажу
- CN 安装说明
- HU Szerelési útmutató
- JP 設置説明書



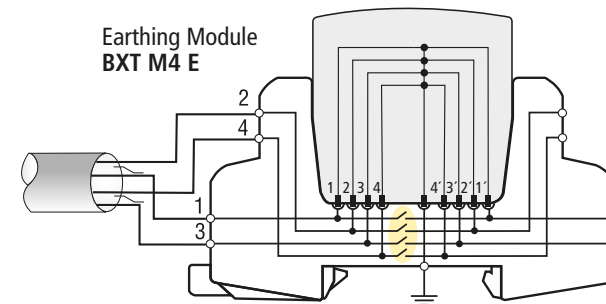
**BSP BAS 4**



**BXT M4 E**



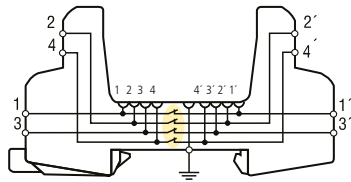
**Earthing Module BXT M4 E**





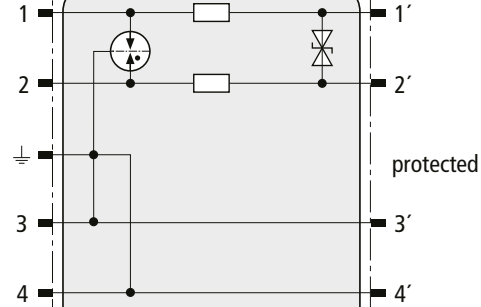
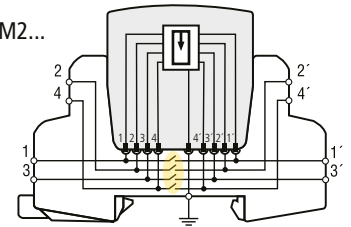
**BXT BAS Part No. 920 300**
**BSP M2 BD XXX Part No. 926 XXX**
**BSP M2 BE XXX Part No. 926 XXX**

BXT BAS

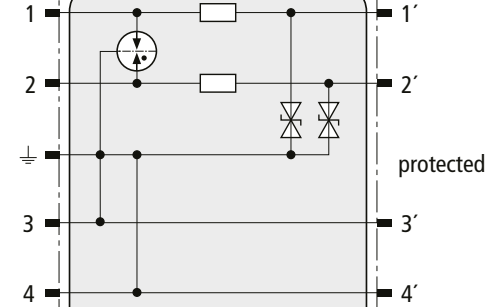


protected

BSP M4... / M2...



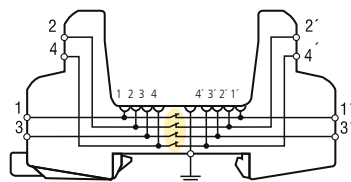
protected



protected

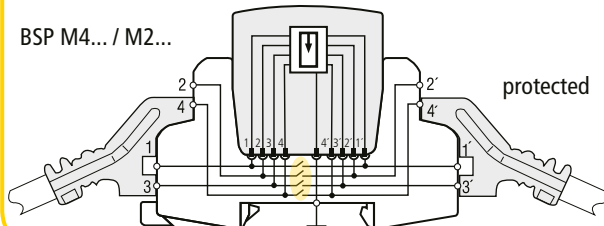
**BXT BAS with module BSP M4... / BSP M2... and SAK BXT LR**
**BSP M2 BD HF XXX Part No. 926 XXX**
**BSP M2 BE HF XXX Part No. 926 XXX**

BXT BAS

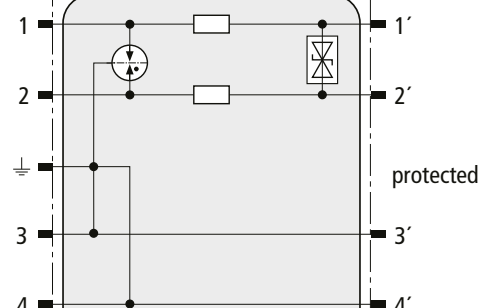


protected

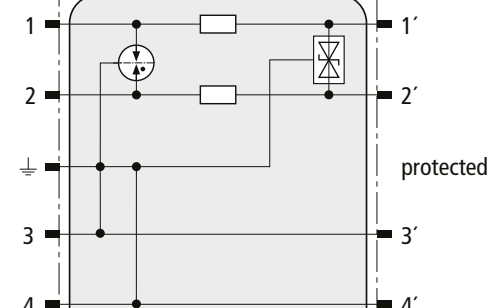
BSP M4... / M2...



protected



protected

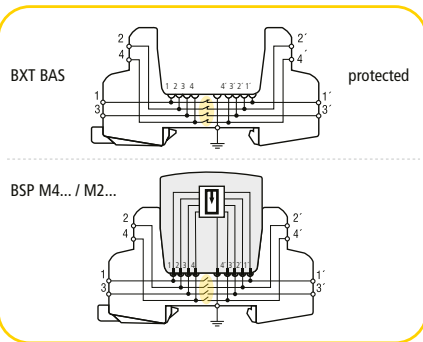
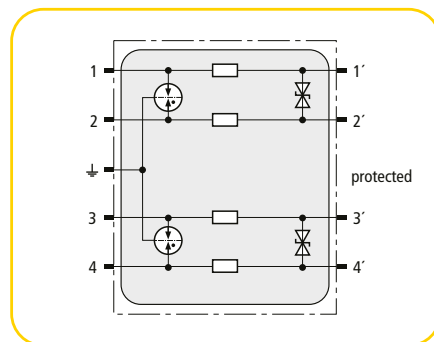
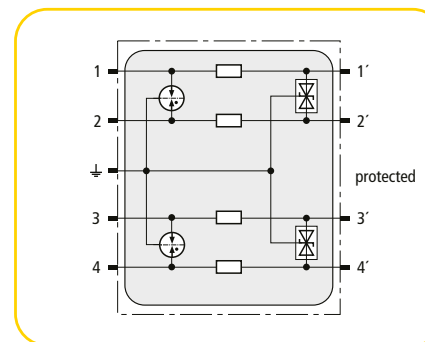
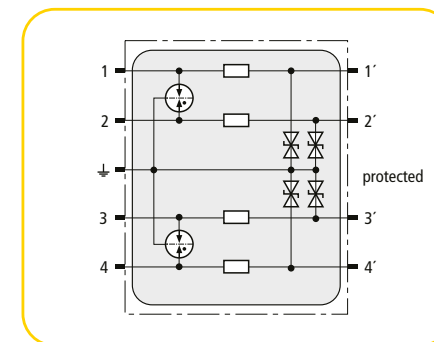
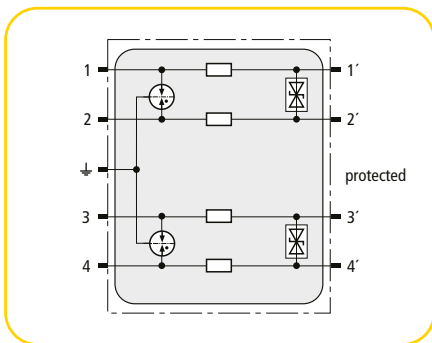


protected

**Shield earthing >>>**

 terminal 3,4 and 3',4' with **EMC spring terminal SAK BXT LR**  
 see also *Installation instructions, Publication No. 1653*
**Schirmerdung >>>**

 Anschlussklemme 3,4 und 3',4' mit **EMV-Federklemme SAK BXT LR**  
 siehe auch *Einbauanleitung, Publication No. 1653*


**BXT BAS Part No. 920 300**

**BSP M4 BD XXX Part No. 926 XXX**

**BSP M4 BE HF XXX Part No. 926 XXX**

**BSP M4 BE Part No. 926 XXX**

**BSP M4 BD HF XXX Part No. 926 XXX**

**UL requirements**

1. These modules are intended for ordinary indoor use on communication loop circuits that are isolated from the Public Switched Telephone Network.
2. The protector module shall be secured to the compatible protector base before applying power to the communication loop.
3. The protector base shall be secured to a compatible DIN Rail ground bar using the methods described in this instruction.
4. Proper grounding continuity shall be determined.
5. If a replacement module is needed, deactivate power to the communication loop and only use a Listed protector module having the same rated voltage breakdown range.
6. Please install the protector modules in accordance with the applicable requirements of the National Electrical Code, Article 800 or other applicable local codes.
7. Screw Terminal Ratings with the applicable wire gauge sizes shall be noted.
8. The maximum circuit current for UL 497 B application is limited to 100 mA


 IEC 60417-6182:  
Installation,  
electrotechnical expertise

[www.dehn.de](http://www.dehn.de)  
[www.dehn-international.com](http://www.dehn-international.com)

Blitzductor BST Series ML4		Strike voltage 100 V / s				Surge voltage 100 V / μs			
Type	Part No.	line to ground		line to line		line to ground		line to line	
		min.	max.	min.	max.	min.	max.	min.	max.
BSP M4 BE 5	926 320	6,7 V	8,5 V	13,4 V	17,0 V	6,7 V	9,0 V	13,4 V	18 V
BSP M4 BE 12	926 322	16,5 V	18,7 V	33,0 V	37,5 V	16 V	19 V	33 V	38 V
BSP M4 BE 24	926 324	35 V	42 V	70 V	83 V	35 V	45 V	70 V	90 V
BSP M4 BE 48	926 325	59 V	67 V	72 V	133 V	59 V	70 V	118 V	140 V
BSP M4 BE 60	926 326	72 V	97 V	72 V	173 V	72 V	90 V	144 V	180 V
BSP M4 BE 180	926 327	182 V	224 V	182 V	446 V	182 V	250 V	182 V	500 V
BSP M4 BD 5	926 340	70 V	110 V	6,7 V	8,5 V	70 V	550 V	6,7 V	9,0 V
BSP M4 BD 12	926 342	70 V	110 V	16,5 V	18,7 V	70 V	550 V	16 V	19 V
BSP M4 BD 24	926 344	70 V	110 V	35 V	42 V	70 V	550 V	35 V	45 V
BSP M4 BD 48	926 345	70 V	110 V	59 V	67 V	70 V	550 V	59 V	70 V
BSP M4 BD 60	926 346	70 V	110 V	72 V	87 V	70 V	550 V	72 V	90 V
BSP M4 BD 180	926 347	182 V	278 V	182 V	224 V	182 V	550 V	182 V	250 V
BSP M4 BE HF 5	926 370	7,5 V	10,0 V	7,5 V	10,0 V	7,5 V	11,0 V	7,5 V	11,0 V
BSP M4 BD HF 5	926 371	70 V	110 V	7,5 V	11,0 V	70 V	550 V	7,5 V	11,0 V
BSP M4 BD HF 24	926 375	70 V	110 V	36 V	43 V	70 V	550 V	36 V	47 V

BSP Series ML2 Signal lines 1/1' and 2/2'		Strike voltage 100 V / s				Surge voltage 100 V / μs			
Type	Part No.	line 1/1' and 2/2' to ground		line 1/1' to line 2/2'		line 1/1' and 2/2' to ground		line 1/1' to line 2/2'	
		min.	max.	min.	max.	min.	max.	min.	max.
BSP M2 BE 5	926 220	6,7 V	8,5 V	13,4 V	17,0 V	6,7 V	9,0 V	13,4 V	18 V
BSP M2 BE 12	926 222	16,5 V	18,7 V	33,0 V	37,5 V	16 V	19 V	33 V	38 V
BSP M2 BE 24	926 224	35 V	42 V	70 V	83 V	35 V	45 V	70 V	90 V
BSP M2 BE 48	926 225	59 V	67 V	72 V	133 V	59 V	70 V	118 V	140 V
BSP M2 BE 60	926 226	72 V	97 V	72 V	173 V	72 V	90 V	144 V	180 V
BSP M2 BE 180	926 227	182 V	224 V	182 V	446 V	182 V	250 V	182 V	500 V
BSP M2 BD 5	926 240	70 V	110 V	6,7 V	8,5 V	70 V	550 V	6,7 V	9,0 V
BSP M2 BD 12	926 242	70 V	110 V	16,5 V	18,7 V	70 V	550 V	16 V	19 V
BSP M2 BD 24	926 244	70 V	110 V	35 V	42 V	70 V	550 V	35 V	45 V
BSP M2 BD 48	926 245	70 V	110 V	59 V	67 V	70 V	550 V	59 V	70 V
BSP M2 BD 60	926 246	70 V	110 V	72 V	87 V	70 V	550 V	72 V	90 V
BSP M2 BD 180	926 247	182 V	278 V	182 V	224 V	182 V	550 V	182 V	250 V
BSP M2 BE HF 5	926 270	7,5 V	10,0 V	7,5 V	10,0 V	7,5 V	11,0 V	7,5 V	11,0 V
BSP M2 BD HF 5	926 271	70 V	110 V	7,5 V	11,0 V	70 V	550 V	7,5 V	11,0 V
BSP M2 BD HF 24	926 275	70 V	110 V	36 V	43 V	70 V	550 V	36 V	47 V

 Blitzductor BSP Series ML2 Shielding line 3/3' and 4/4'.  
 For all types of BSP Series ML2 the lines 3/3' and 4/4' are shorted to ground