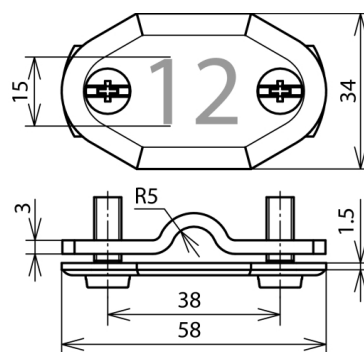


NS 7.10 FL30 MZ 29 AL (481 029)



Figure without obligation



Type	NS 7.10 FL30 MZ 29 AL
Part No.	481 029
Material	Al
Number	29
Clamping range Rd / FI	7-10 / 30 mm
Screw	☒ M6 x 16 mm
Material of screw	StSt
Standard	DIN 48821
Weight	26 g
Customs tariff number (Comb. Nomenclature EU)	83100000
GTIN	4013364161405
PU	1 pc(s)

We reserve the right to introduce changes in performance, configuration and technology, dimensions, weights and materials in the course of technical progress. The figures are shown without obligation.

All number plates are available with different numbers or lettering on request!