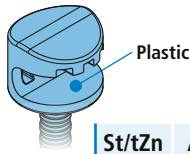




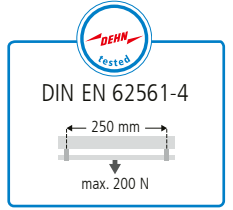
IEC 60417-6182:
Installation,
electrotechnical expertise



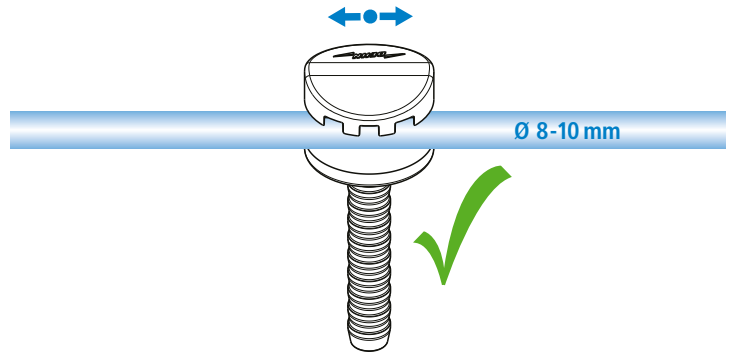
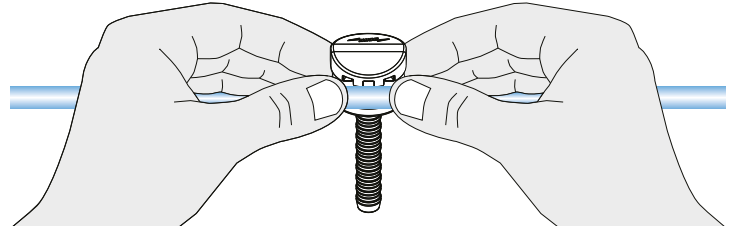
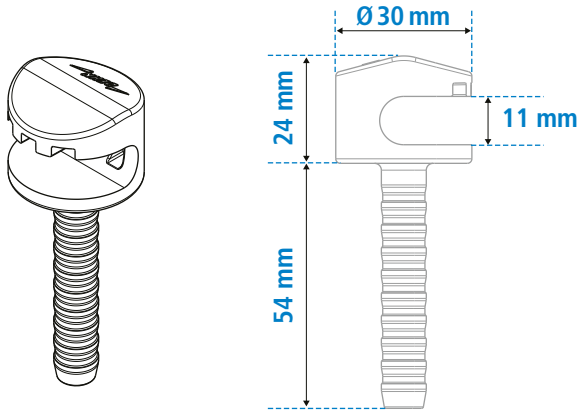
IEC 60417-6183:
Installation,
mechanical expertise



	St/tZn	Al	Cu	StSt	Ti	Sn
Plastic	✓	✓	✓	✓	✓	✓



253 303



253 335 SET

